

BRINGING
**TRUSTED
BRANDS**
TO YOU

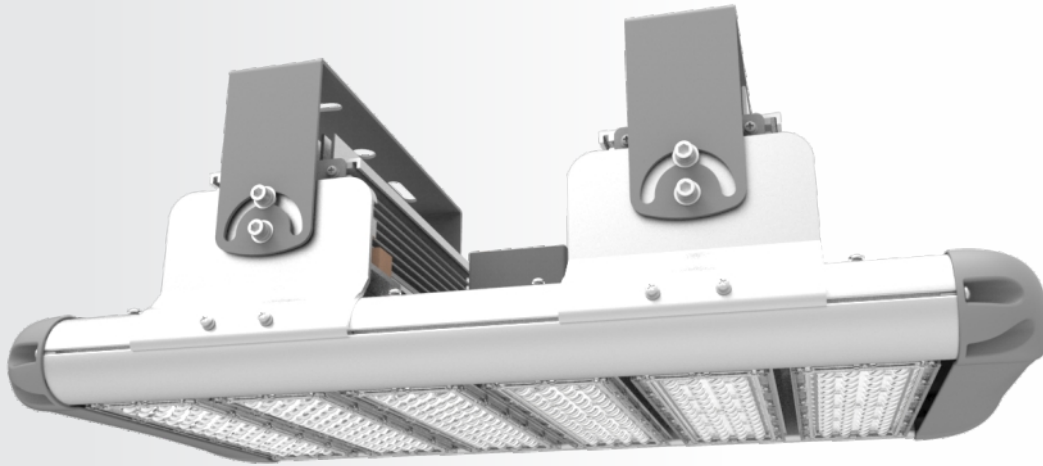


EDG

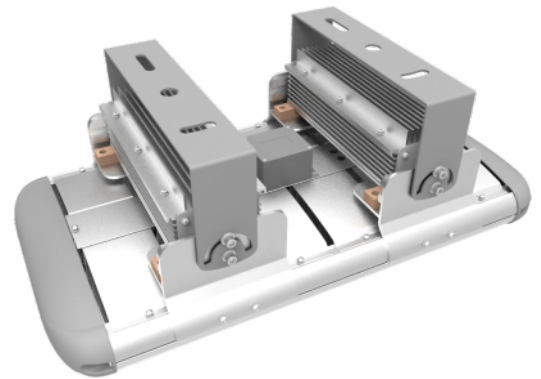
WE'VE GOT THE DRIVE

EO-ED-300W

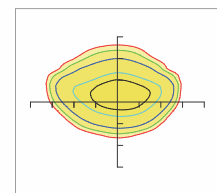
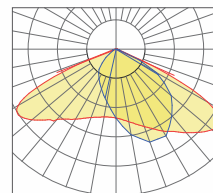
HiHeat



Lumen Output	42,000lm
Wattage	300W
Luminous Efficacy	140lm/W
CCT	4000K
CRI	>Ra70
IP Rating	IP66
Working Temperature	-30° to +80°
LED Driver	Meanwell
Input Voltage	100-277VAC
Warranty	5 years
Lifespan	>100,000hrs
Luminaire Net Weight	16.5kg
Outlook Dimensions	684x366x245mm
Protection	12KV



70 x 135°



— 0.0-180.0
— 90.0-270.0

Rustenburg
+27 14 592 0634

Steelpoort
+27 13 230 9535

Kathu
+27 53 723 1490

Hartbeespoort
+27 11 028 1411

Phalaborwa
+27 15 590 2396

Middelburg
+27 76 983 2375

www.electrodiesel.co.za info@electrodiesel.co.za